

The BTAS is a replaceable core Filter Drier for suction line services ideal for commercial refrigeration applications.

Features

- Full flow fittings for low pressure drop
- Corrosion resistant brass body with stainless steel bolts
- Special cartridge design exclusive to brass shell



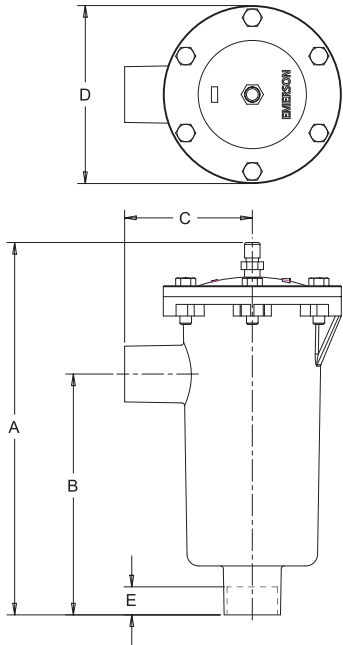
Nomenclature example: BTAS 311SV

BTAS	3	11	SV
Brass Take-Apart Series	Unit Size	Connection Size (in 1/8")	Suction Line Service

Specifications

- Filtration: 40 microns
- Maximum working pressure: 400 psig
- UL/CUL file number: SA 3124

Dimensional Data



Ordering Information

PCN	Description	Connection Size	Nominal Shell Size (in)	Dimensions (in)					Weight (lbs)
				A	B	C	D	E	
049462	BTAS-27 S-V	7/8 ODF	2	9.75	6.57	2.19	3.75	0.75	6.75
049465	BTAS-39 S-V	1 1/8 ODF	3	10.31	6.81	3.31	4.63	0.91	10.25
049466	BTAS-311 S-V	1 3/8 ODF		11.06	6.94	3.44		0.97	10.50
049467	BTAS-313 S-V	1 5/8 ODF		11.25	7.13	3.63		1.09	11.00
049468	BTAS-317 S-V	2 1/8 ODF		11.50	7.38	3.88		1.34	11.20
064169	BTAS-411 S-V	1 3/8 ODF	4	11.41	7.81	4.13	5.75	0.78	16.20
049470	BTAS-413 S-V	1 5/8 ODF		12.03	7.81	4.13		1.09	16.75
049471	BTAS-417 S-V	2 1/8 ODF		12.28	8.06	4.13		1.34	17.20
049472	BTAS-421 S-V	2 5/8 ODF		12.41	8.19	4.94		1.47	18.00
049473	BTAS-517 S-V	2 1/8 ODF	5	13.44	8.41	4.19	7.09	1.34	28.75
049474	BTAS-521 S-V	2 5/8 ODF		13.56	8.47	4.94		1.47	29.00
049475	BTAS-525 S-V	3 1/8 ODF		13.25	8.16	4.63		1.66	29.25

BTAS models are shipped without filter cartridge or Filter Drier cartridge.

Type A-F Replaceable Filter Cartridges

PCN	Filter Core	For Shell No.	Core O.D.	Core Length	Filter Area (Sq. In.)	Weight (lbs)
049479	A2F	BTAS-2	1 29/32	6 3/8	66	0.33
049480	A3F	BTAS-3	2 3/4	6 7/8	115	0.50
049481	A4F	BTAS-4	3 3/4	7 1/2	189	0.88
049482	A5F	BTAS-5	4 5/16	8 1/2	270	1.00

Type A-F-D Replaceable Filter Drier Cartridges

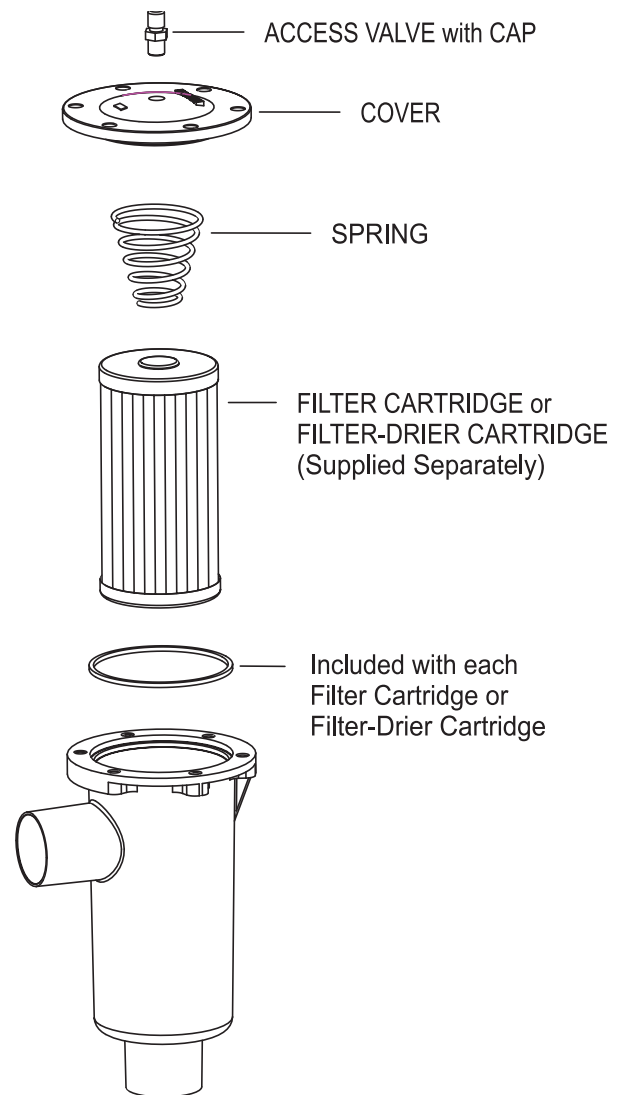
PCN	Filter Drier Cartridge	For Shell No.	Cartridge O.D.	Cartridge Length	Desiccant Volume (Cu. In.)	Weight (lbs)
049483	A2F-D	BTAS-2	1 29/32	6 3/8	4.2	0.50
049484	A3F-D	BTAS-3	2 3/4	6 7/8	13.3	0.88
049485	A4F-D	BTAS-4	3 3/4	7 1/2	26.0	1.20
049486	A5F-D	BTAS-5	4 5/16	8 1/2	36.5	1.20

Replacement Parts *

Misc. Parts	Description	PCN
Access Valve	X11562-2	037409
BTAS 2 Repair Kit*	KD-30519-2	065970
BTAS 3 Repair Kit*	KD-30519-3	065971
BTAS 4 Repair Kit*	KD-30519-4	065972
BTAS 5 Repair Kit*	KD-30519-5	065973
BTAS 2 Seal Ring Kit	KD-40015-1	066430
BTAS 3 Seal Ring Kit	KD-40015-2	066431
BTAS 4 Seal Ring Kit	KD-40015-3	066432
BTAS 5 Seal Ring Kit	KD-40015-4	066433

* Repair kits contain cover bolts, cover, spring and seal ring.

Exploded View



BTAS models are shipped without filter cartridge or Filter Drier cartridge.